

- MAIN ROADS
- CAR PARKS
- INDUSTRIAL AREAS
- ACCESS AND MINOR ROADS
- PUBLIC PARKS



**OVALIS 450** Lateral mounted fitting can be combined with a variety of arms, for mounting on our recommended poles.

Housing made of die-cast aluminium, aluminium, stainless steel, convex toughened glass, luminaire housing and end plates silver anodised, with silver painted die-cast aluminium end caps, stainless steel threaded inserts for regularly used fixing positions, stainless steel screws, features tool-free easy maintenance access with flush one hand operated locks, gas pressure strut to open roof, electrical components unit can be replaced without tools, asymmetric high

performance mini-road reflector optics-VARIO-OPTIC for all layouts, for planning assistance please contact selux, L: 450mm, B: 406mm, H: 126mm, protection category IP66, protection class I with option class II, standard colour: silver (RAL 9006) [-3].

A<sub>w</sub>: 0,057 m², weight: 10,5 kg  
**Bracket mounted fitting SX 309** - -  
 without bracket, without pole

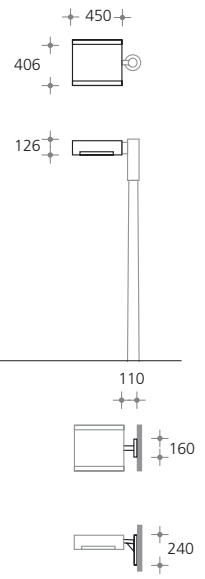


**VARIO-OPTIC**

Mirror optics  
 asymmetric

**HIT-CE\***

20W → <b>1 9</b>		
LVK → 7297		
35W → <b>1 1</b>		
LVK → 7297		
70W → <b>1 3</b>		
LVK → 7297		



**Wall bracket**

With wall plate of galvanised steel, painted, pole top Ø: 60mm.

H: 240mm, B: 160mm, L: 110mm, **SX 97-312-** -

**Bracket**

Pole top arm, for spigot Ø: 60mm, of galvanised steel, painted.

single,	pole top Ø: 76mm,	L: 100mm,	<b>SX 97-300-</b> -
single,	pole top Ø: 76mm,	L: 500mm,	<b>SX 97-302-</b> -
double,	pole top Ø: 76mm,	L: 200mm,	<b>SX 97-307-</b> -
double,	pole top Ø: 76mm,	L: 1000mm,	<b>SX 97-308-</b> -

**Recommended Poles**

Conical galvanised steel pole, painted, features extended buried base and anti-sink plate set, CE-approval according to EU construction-product regulations, supplied with IP 54 fuse box 2x5x16mm² for loop in-and-out.

H: 3500 / 700mm	pole top Ø: 76mm	LPH: 3460mm	<b>SX 091 16-</b> -
H: 4000 / 800mm	pole top Ø: 76mm	LPH: 3960mm	<b>SX 092 16-</b> -
H: 4500 / 800mm	pole top Ø: 76mm	LPH: 4460mm	<b>SX 037 16-</b> -
H: 5000 / 800mm	pole top Ø: 76mm	LPH: 4960mm	<b>SX 094 16-</b> -

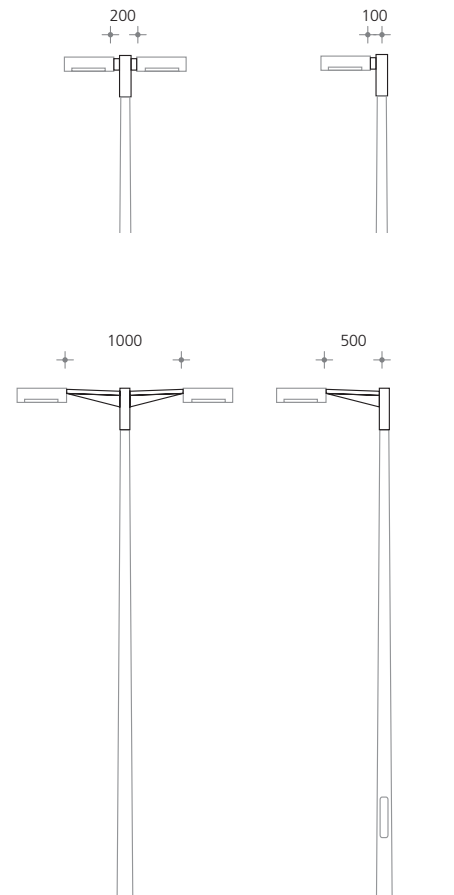
\*G12 base

Please complete reference no. with the relevant codes for optic, lamp and colour.

**Specification example: Luminaire with bracket and pole**

<b>OVALIS 450</b>	<b>HIT-CE 35W</b>	<b>silver</b>	
<b>SX 309</b>	<b>11</b>	<b>- 3</b>	<b>SX 309 11 - 3</b>
<b>bracket SX 097-300</b>	L: 100mm	<b>- 3</b>	<b>SX 097-300- 3</b>
<b>Pole SX 092 16</b>	H: 4000/800mm	<b>- 3</b>	<b>SX 092 16 - 3</b>

Colour code: → silver - **3**, choice of colours - **9**



- MAIN ROADS
- CAR PARKS
- INDUSTRIAL AREAS
- ACCESS AND MINOR ROADS
- PUBLIC PARKS

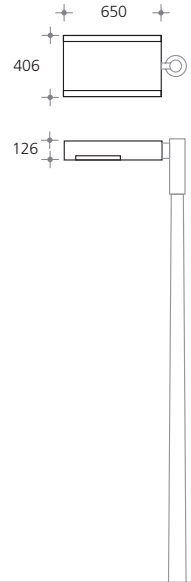


**OVALIS 650** Lateral mounted fitting can be combined with a variety of arms, for mounting on our recommended poles.

Housing made of die-cast aluminium, aluminium, stainless steel, convex toughened glass, luminaire housing and end plates silver anodised, with silver painted die-cast aluminium end caps, stainless steel screws, stainless steel threaded inserts for regularly used fixing positions, features tool-free easy maintenance access with flush one hand operated locks, gas pressure strut to open roof, asymmetric high performance mirror optics - VARIO-OPTIC for all layouts, for

planning assistance please contact selux,  
L: 650mm, B: 406mm, H: 126mm,  
protection category IP66, protection class I with option class II,  
standard colour: silver (RAL 9006) [-3].

A<sub>w</sub>: 0,082 m<sup>2</sup>, weight: 11,5 kg  
**Bracket mounted fitting SX 311** - -  
without bracket, without pole



**VARIO-OPTIC**

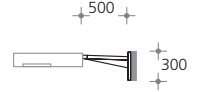
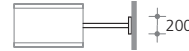
Mirror optics asymmetric

HST	HIT-CE	
50W → <b>3 0</b> LVK → 7301	35W* → <b>3 1</b> LVK → 7300	
70W → <b>3 2</b> LVK → 7301	70W → <b>3 3</b> LVK → 7300	
100W → <b>3 4</b> LVK → 7301	100W → <b>3 5</b> LVK → 7300	
150W → <b>3 6</b> LVK → 7301	150W → <b>3 7</b> LVK → 7300	

**Wall bracket**

With wall plate of galvanised steel, painted, pole top Ø: 60mm.

H: 300mm, B: 200mm, L: 500mm, **SX 97-314-** -



**Bracket**

Pole top arm, for spigot Ø: 60mm, of galvanised steel, painted.

single,	pole top Ø: 76mm,	L: 100mm,	<b>SX 97-300-</b> -
single,	pole top Ø: 76mm,	L: 500mm,	<b>SX 97-302-</b> -
double,	pole top Ø: 76mm,	L: 200mm,	<b>SX 97-307-</b> -
double,	pole top Ø: 76mm,	L: 1000mm,	<b>SX 97-308-</b> -

**Recommended Poles**

Conical galvanised steel pole, painted, features extended buried base and anti-sink plate set, CE-approval according to EU construction-product regulations, supplied with IP 54 fuse box 2x5x16mm<sup>2</sup> for loop in-and-out.

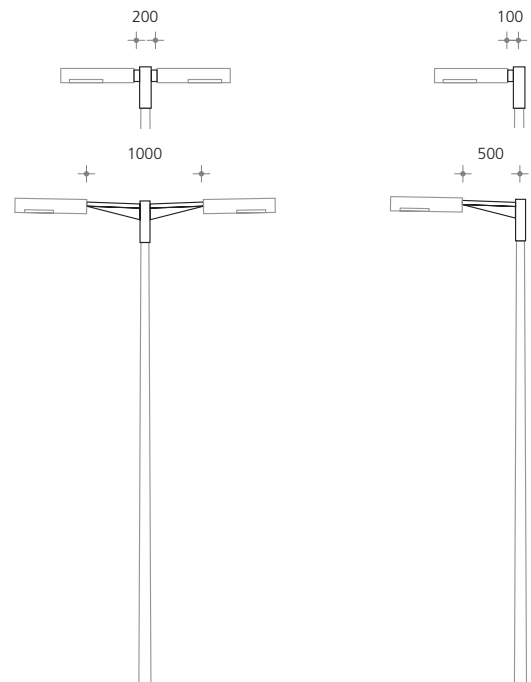
H: 4500 / 800mm	pole top Ø: 76mm	LPH: 4460mm	<b>SX 037 16-</b> -
H: 5000 / 800mm	pole top Ø: 76mm	LPH: 4960mm	<b>SX 094 16-</b> -
H: 6000 / 1000mm	pole top Ø: 76mm	LPH: 5960mm	<b>SX 018 16-</b> -
H: 8000 / 1200mm	pole top Ø: 76mm	LPH: 7960mm	<b>SX 019 16-</b> -

\*35W: G12 base • Optional equipment with Philips CosmoPolis (HIT-COS).  
Please complete reference no. with the relevant codes for optic, lamp and colour.

**Specification example: Luminaire with bracket and pole**

<b>OVALIS 650</b>	<b>asym., HIT-CE 70W</b>	<b>silver</b>	
<b>SX 311</b>	<b>3 3</b>	<b>- 3</b>	<b>SX 311 3 3 - 3</b>
<b>Bracket</b>	<b>SX 97-302</b> L: 500mm	<b>- 3</b>	<b>SX 97-302- 3</b>
<b>Pole</b>	<b>SX 094 16</b> H: 5000/800mm	<b>- 3</b>	<b>SX 094 16 - 3</b>

Colour code: → - silver - **3**, choice of colours - **9**



- MAIN ROADS
- CAR PARKS
- INDUSTRIAL AREAS
- ACCESS AND MINOR ROADS
- PUBLIC PARKS

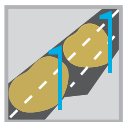


**OVALIS 850** Lateral mounted fitting can be combined with a variety of arms, for mounting on our recommended poles.

Housing made of die-cast aluminium, aluminium, stainless steel, convex toughened glass, luminaire housing and end plates silver anodised, with silver painted die-cast aluminium end caps, stainless steel screws, stainless steel threaded inserts for regularly used fixing positions, features tool-free easy maintenance access with flush one hand operated locks, gas pressure strut to open roof, asymmetric high performance mirror optics - VARIO-OPTIC for all layouts, for planning assistance please contact selux,

L: 850mm, B: 406mm, H: 126mm, protection category IP66, protection class I with option class II, standard colour: silver (RAL 9006) [-3].

A<sub>w</sub>: 0,107 m<sup>2</sup>, weight: 15 kg  
**Bracket mounted fitting SX 313** - -  
 without bracket, without pole



#### VARIO-OPTIC

Mirror optics  
asymmetric

HST	HIT-CE
100W → 3 4 LVK → 7301	100W → 3 5 LVK → 7300
150W → 3 6 LVK → 7301	150W → 3 7 LVK → 7300
250W → 3 8 LVK → 7305	250W → 3 9 LVK → 7300

#### Bracket

Pole top arm, for soigot Ø: 60mm, of galvanised steel, painted.

single, pole top Ø: 90mm, L: 1200mm, pole top luminaire Ø: 60mm **SX 97-306-**

double, pole top Ø: 90mm, L: 2400mm, pole top luminaire Ø: 60mm **SX 97-310-**

#### Recommended Poles

Conical galvanised steel pole, painted, features extended buried base and anti-sink plate set, CE-approval according to EU construction-product regulations, supplied with IP 54 fuse box 2x5x16mm<sup>2</sup> for loop in-and-out.

H: 6000 / 1000mm	pole top Ø: 90mm	LPH: 6010mm	<b>SX 115 14-</b>
H: 7000 / 1000mm	pole top Ø: 90mm	LPH: 7010mm	<b>SX 116 14-</b>
H: 8000 / 1200mm	pole top Ø: 90mm	LPH: 8010mm	<b>SX 117 14-</b>
H: 10000 / 1500mm	pole top Ø: 90mm	LPH: 10010mm	<b>SX 126 14-</b>

\*G12 base • on request with Philips CosmoPolis (HIT-COS).

Please complete reference no. with the relevant codes for optic, lamp and colour.

#### Specification example: Luminaire with bracket and pole

<b>OVALIS 850 SX 313</b>	<b>asym., HIT-CE 150W</b>	<b>silver</b>
	<b>3 7</b>	<b>- 3 SX 313 3 7 - 3</b>
<b>Bracket</b>	<b>SX 97-306 L: 1200mm</b>	<b>- 3 SX 97-306- 3</b>
<b>Pole</b>	<b>SX 117 14 H: 8000/1200mm</b>	<b>- 3 SX 117 14- 3</b>

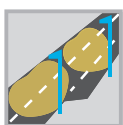
Colour code: → - silver - 3, choice of colours - 9



**OVALIS 850/650** Road / Walkway fixture including pole and brackets. Housing made of die-cast aluminium, aluminium, stainless steel, convex toughened glass, luminaire housing and end plates silver anodised, with silver painted die-cast aluminium end caps, stainless steel screws, stainless steel threaded inserts for regularly used fixing positions, features tool-free easy maintenance access with flush one hand operated locks, gas pressure strut to open roof, asymmetric high performance mirror optics - VARIO-OPTIC for all layouts, for planning assistance please contact selux, Road luminaire: L: 850mm, B: 406mm, H: 126mm, bracket L: 1300mm, Walkway

luminaire: L: 650mm, B: 406mm, H: 126mm, bracket L: 500mm, protection category IP65, protection class I with option class II supplied with conical pole and brackets of galvanised steel, painted, with extended buried base and anti-sink plate set, CE-approval according to EU construction-product regulations, supplied with IP 54 fuse box 2x5x16mm<sup>2</sup> for loop in-and-out, pole height H:8000/1200mm, LPH:8010/4460mm, standard colour: silver (RAL 9006) [-3].

A<sub>w</sub>: 0,107 m<sup>2</sup>, weight: 15,0 kg  
 A<sub>w</sub>: 0,082 m<sup>2</sup>, weight: 11,5 kg  
**Road / Walkway fixture**  
 including pole and brackets **SX 315** - -



#### VARIO-OPTIC

Mirror optics  
asymmetric

HST	HIT-CE
150/50W → 3 6 → 7301 / 7301	150/35W → 3 7 → 7300
250/70W → 1 6 → 7305 / 7301	250/70W → 3 9 → 7300



LVK → [selux.de/lvk](http://selux.de/lvk)

