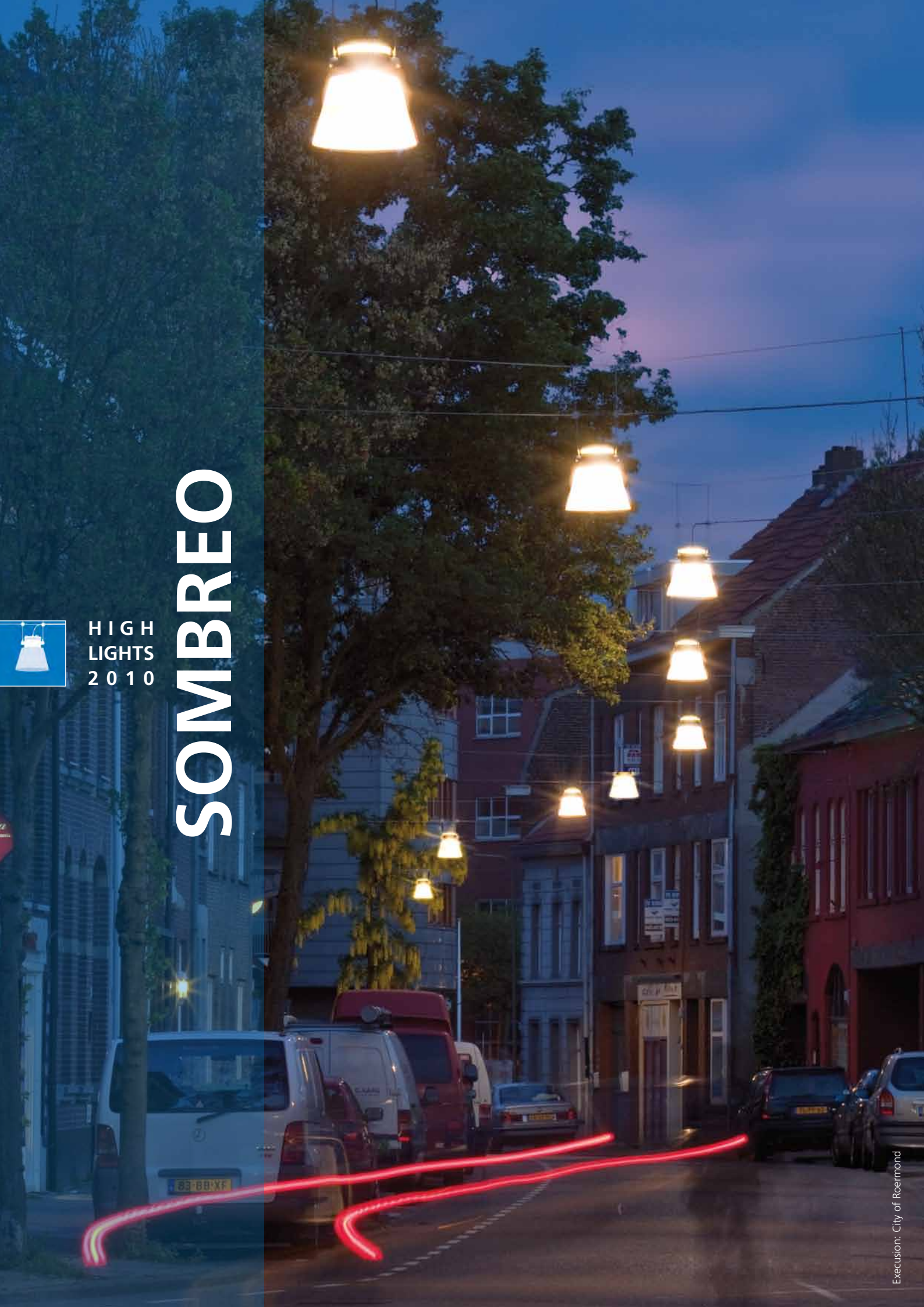




HIGH
LIGHTS
2010

SOMBREO



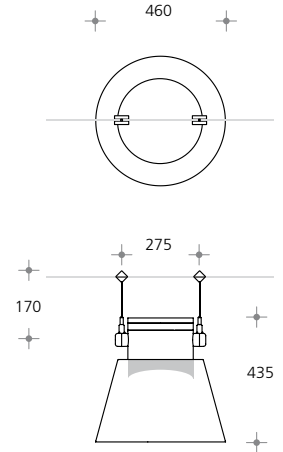
- PUBLIC SQUARES
- AREAS WITH REDUCED TRAFFIC
- ACCESS AND MINOR ROADS
- PEDESTRIAN SPACES



SOMBREO 230 Catenary suspension luminaire with decorative white LED ring, other colours on request.
 Housing made of die-cast aluminium, stainless steel, stainless steel screws, stainless steel threaded inserts, clear acrylic body (PMMA) with satinised base plate and SEPOLAR® Comfort Tubus, asymmetric high performance Mini Road mirror optics, features easy mounting and tool-free maintenance via hand operated locks, Ø: 460mm, H: 435mm, protection rating IP65, safety category I, safety category II optional, supplied with catenary suspension components, adjustable in height, lateral cable gland,

prepared for through-wiring, standard colour: RAL 9006 silver [-3] or RAL colour on request [-9].
 Windage area: 0.146m², weight: 7.0kg

SOMBREO 230 SX 932 ■ ■ - ■
 Catenary suspension luminaire

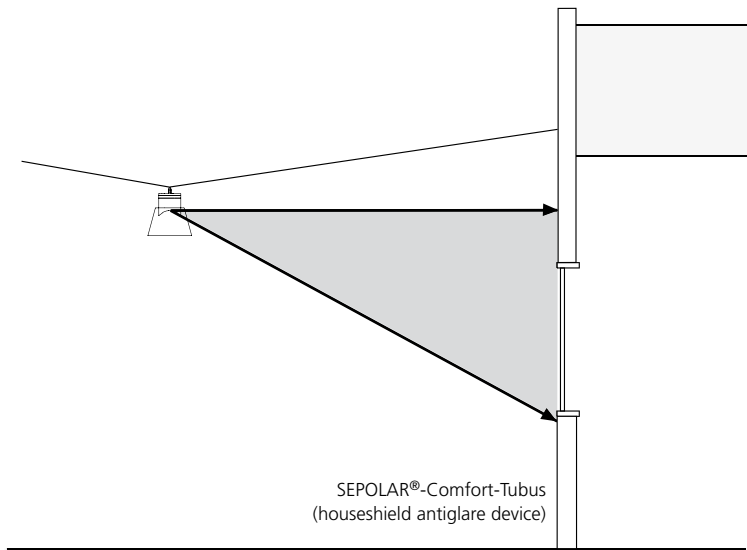


Mirror optics
 asymmetrical

HIT-CE*

35W → 5 0		
LVK → 8224		
70W → 5 3		
LVK → 8224		

* base G12



- PUBLIC SQUARES
- AREAS WITH REDUCED TRAFFIC
- ACCESS AND MINOR ROADS
- PEDESTRIAN SPACES



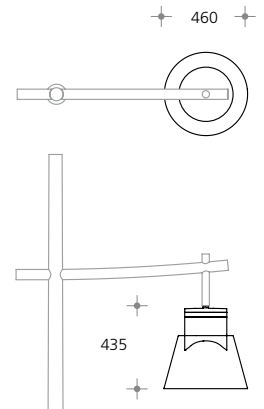
SOMBREO 230 Bracket-mounted luminaire with white LED ring, other colours on request, to be used in combination with SOMBREO wall brackets or SOMBREO poles.

Housing made of die-cast aluminium, stainless steel, stainless steel screws, stainless steel threaded inserts, clear acrylic body (PMMA) with satinised base plate and SEPOLOR® Comfort Tubus, asymmetric high performance Mini Road mirror optics, features easy mounting and tool-free maintenance via hand operated locks, Ø: 460mm, H: 435mm, for Ø: 76mm spigots, protection rating IP65,

safety category I, safety category II, optional, standard colour: RAL 9006 silver [-3] or RAL colour on request [-9].

Windage area: 0.146m², weight: 7.0kg

SOMBREO 230 SX 932 ■ - ■
Bracket-mounted luminaire



Mirror optics
asymmetrical

HIT-CE

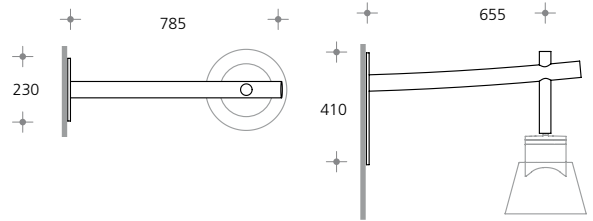
35W → 6 0		
LVK → 8224		
70W → 6 3		
LVK → 8224		

Wall bracket

Made of galvanised steel, painted:

H: 410mm, B: 230mm, L: 785mm, spigot Ø: 76mm

SX 97-062- ■



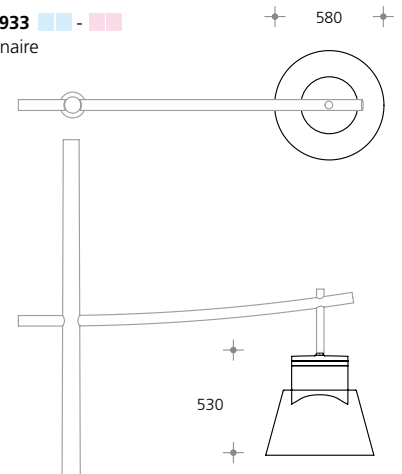
SOMBREO 300 Bracket-mounted luminaire for mounting on recommended poles.

Housing made of die-cast aluminium, stainless steel, stainless steel screws, stainless steel threaded inserts, clear acrylic body (PMMA) with satinised base plate and SEPOLAR® Comfort Tubus, asymmetric high performance Mini Road mirror optics, features easy mounting and tool-free maintenance via hand operated locks, Ø: 580mm, H: 530mm, for Ø: 76mm spigots, protection rating IP65, safety category I, safety category II optional, standard colour: RAL 9006

silver [-3] or RAL colour on request [-9].

Windage area: 0.189m², weight: 10kg

SOMBREO 300 SX 933 ■ - ■
Bracket-mounted luminaire



Mirror optics
asymmetrical

HIT-CE

150W → 6 5		
LVK → 8226		

Please complete the reference no. with the relevant codes for optics, light source and colour choice.

How to order

SOMBREO 230	asym. 35 W	silver
SX 932	5 0	3

SX 932 ■ - ■

Colour code:

→ - ■ silver, other colours - ■ + colour code

- PUBLIC SQUARES
- AREAS WITH REDUCED TRAFFIC
- ACCESS AND MINOR ROADS
- PEDESTRIAN SPACES

SOMBREO system poles

With single or double outreach bracket for SOMBREO luminaires.
 Conical galvanised steel system pole with brackets, painted, with buried base and anti-sink plate set, CE approval in accordance with the Building Products Act, supplied with IP54 fuse box, 2 x 5 x 16 mm², for through-wiring.

SOMBREO system pole

single H: 5930/1200mm MH: 4800mm ① **SX 090-30-** ■■

SOMBREO system pole

single H: 7500/1500mm MH: 6000mm ② **SX 090-40-** ■■

SOMBREO system pole

double H: 7500/1500mm MH: 6000mm ③ **SX 090-60-** ■■

SOMBREO pole for road and path lighting

double H: 7500/1500mm MH: 6000/4800mm ④ **SX 090-50-** ■■

